

SPW-120T

ELECTRICAL RACEWAY
AC POWER

SURGE SUPPRESSOR



FEATURES:

- ▶ Industry standard .250" quick connect tabs provide fast and easy installation.
- ▶ Compact design fits inside standard raceways, electrical housings, many power outlet strips and power outlet panels. It is ideal for modular office applications.
- ▶ Exceeds recommendations for ANSI/IEEE C62.41-1991 Categories A3 and B3 and UL 1449 Second Edition.
- ▶ Powerful "no wear out" design will provide years of trouble free protection.
- ▶ Multi stage protection provides the most effective suppression and EMI/RFI filtering.
- ▶ Both differential and common mode suppression and filtering..
- ▶ Hermetically sealed package provides protection from environmental contaminants and moisture to ensure reliable protection.
- ▶ Automatically resets after each transient. No maintenance is required.

Applications:

The SPW-120T is designed to be installed near an AC duplex outlet service. It is commonly installed in electrical raceways used in modular office panels, rack mounted AC power service panels, OEM instrumentation and equipment, etc.

Typical Installation:

Mount the SPW-120T on any convenient surface using brackets or the mounting tape provided. Using quick connect terminals, connect to the tabs on the SPW-120T as shown. The suppressor will provide years of maintenance free equipment protection.

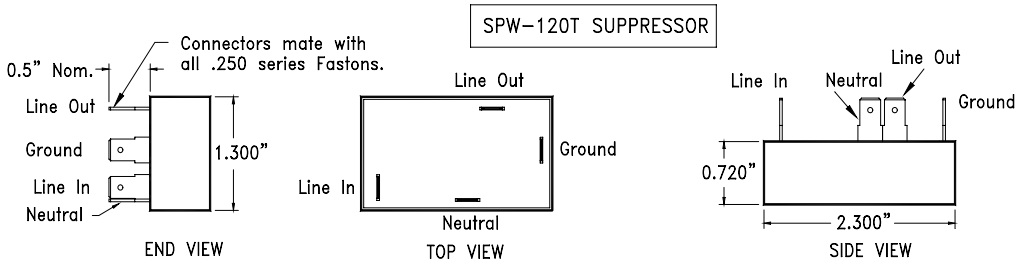
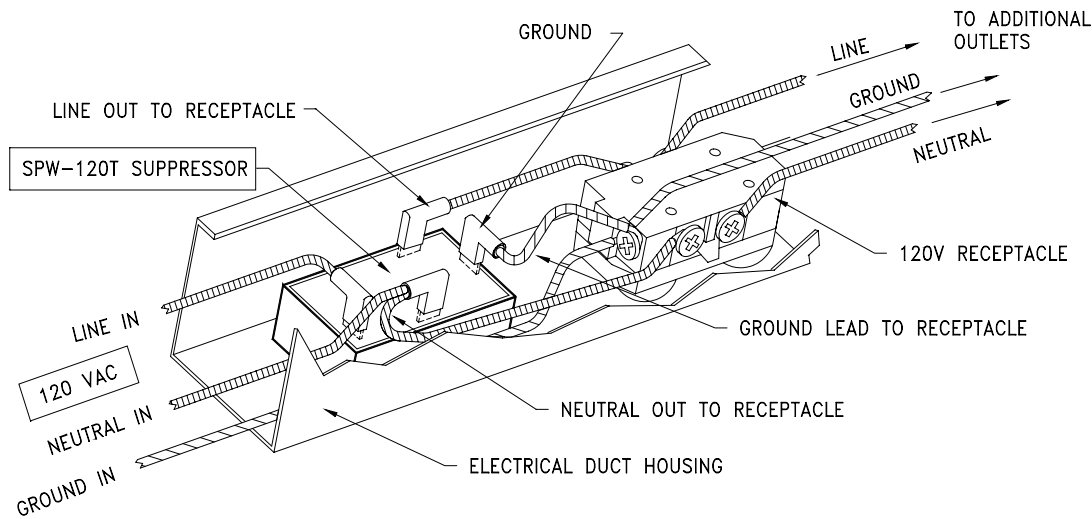
SPW-120T OPERATING SPECIFICATIONS

Specifications	SPW-120T
Operating Line Voltage Rating @ 50/60 Hz	125 VAC
Maximum Operating Line Current	15 Amps
Maximum Transient Voltage (8x20 μ Sec)	6 kV
Maximum Transient Current (1.2 x 50 μ Sec)	4 kA
Maximum Line Current	16 Amps
Clamping Action Turn-On	210 Volts
Maximum Clamping Voltage at (test) Line – Neutral, Line-Gnd, Neutral-Gnd	320 Volts/390 Volts
Frequency Attenuation (dB) @ 100 kHz/10 MHz	-30/-50
Maximum Leakage Current	0.5 mA
Response Time	Less than 1 nanosecond
Operating & Storage Temperature	-40 °C to +85 °C

Consult the factory for other applications and operating conditions and specifications. All specifications at 25 degrees Celsius.

OUTLINE DIMENSIONS:

TYPICAL INSTALLATION:



Circuit Components, Inc.
 2400 S. Roosevelt Street Tempe, AZ • 85282
 Tel: 480-967-0624 • Fax: 480-967-9385
 Email: info@surgecontrol.com • Website: www.surgecontrol.com

SURGE CONTROL®
 A PRODUCT OF CCI

This information is not intended to and does not create any warranties, expressed or implied, including any warranty of merchantability or fitness for a particular purpose. Circuit Components Inc. reserves the right to change specifications at any time without notice.