

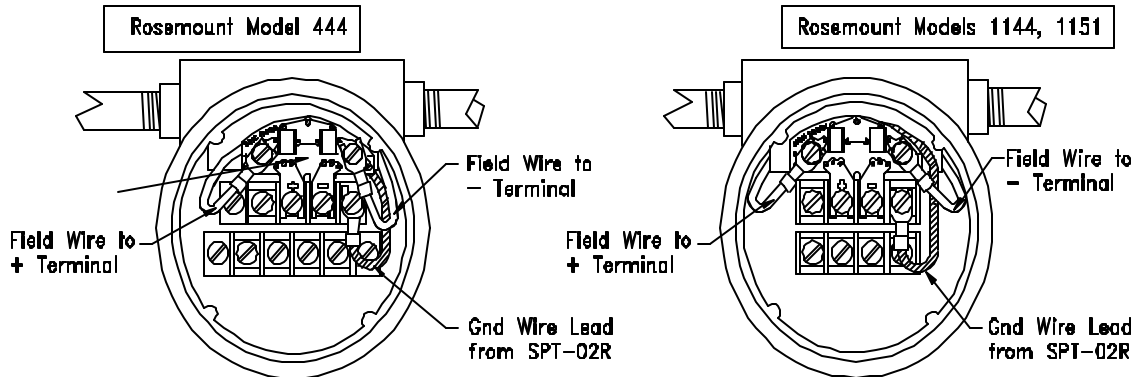
Installation Instructions

SPT-02R Series

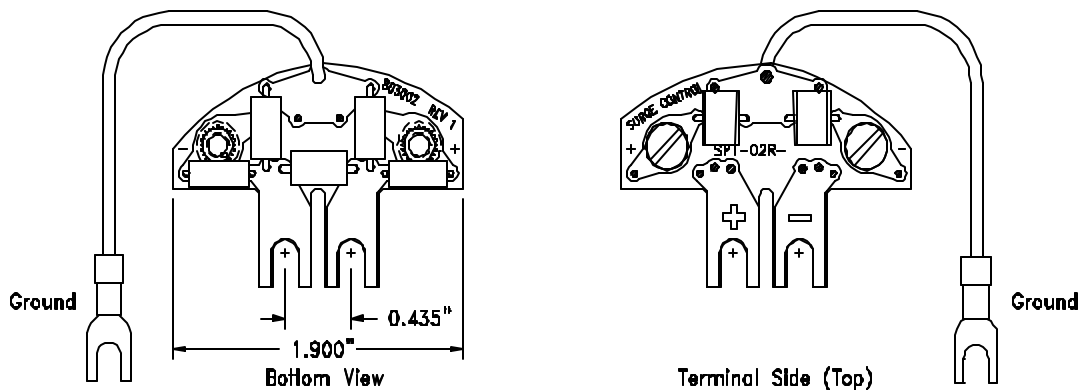
Rosemount Transmitter

Electronic Surge Suppressor

Typical Installation:



Outline Dimensions:



Wiring Instructions:

CAUTION: Make sure equipment power is OFF before installing suppressor.

- (1) Disconnect wiring from transmitter.
- (2) Install surge suppressor to transmitter terminals.
- (3) Reattached wiring to appropriate terminals on suppressor per drawing above.
- (4) Check instrument zero after installation.
- (5) Restore power to **ON**.