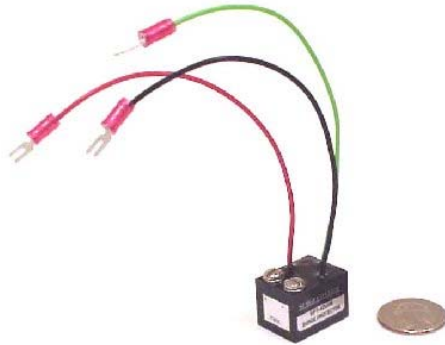


SPT-42U SERIES

TWO WIRE INSTRUMENTATION

SURGE SUPPRESSOR



FEATURES:

- ▶ Mounts inside most models of 2 wire dp field transmitters.
- ▶ May be used on all equipment used in 4-20 mA control/monitor loops.
- ▶ Exceeds severity level 4 of IEC/EN 61000-4-4 (Provides 2.5kA / Line of surge protection).
- ▶ Unique multi-stage design provides the most effective suppression available and requires no additional secondary protection.
- ▶ Automatically resets after each transient. No maintenance is required.
- ▶ All installation hardware included.
- ▶ Space efficient protector is hermetically sealed and suitable for the most harsh industrial environments.
- ▶ Can be used on analog and digital signal / data lines.
- ▶ Sub nanosecond response time stops failures due to lightning, spikes and over-voltage surges while minimizing other electrical noise.
- ▶ Superior protection at an affordable price.
- ▶ Same model may be used on both ends of data lines, reducing spare requirements.

Applications:

The general purpose SPT-42U Series is designed to protect dp transmitters, measurement and process control equipment, 4-20 mA loop instrumentation, data processing and telecommunication equipment, etc. The SPT-42U Series may be used on analog or digital signal / data lines.

Select the model according to the operating voltage from table found on the reverse side of this data sheet.

Select the SPT-43U Series for three wire applications.

Typical Installation:

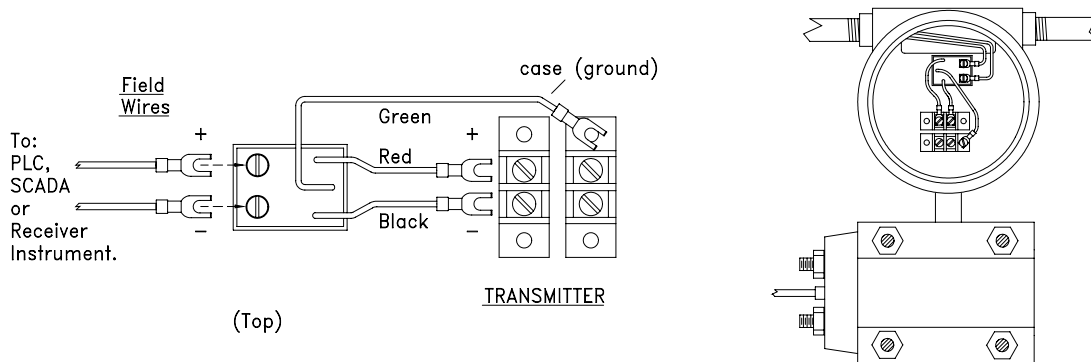
Mount the SPT-42U Series to any convenient surface using the mounting tape provided. Connect the field wires to the terminal posts as indicated. Connect the red and black wires to the instrument signal loop terminal block. The ground wire (green) must be connected to a good earth ground (normally the instrument case).

SPT-42U SERIES OPERATING SPECIFICATIONS:

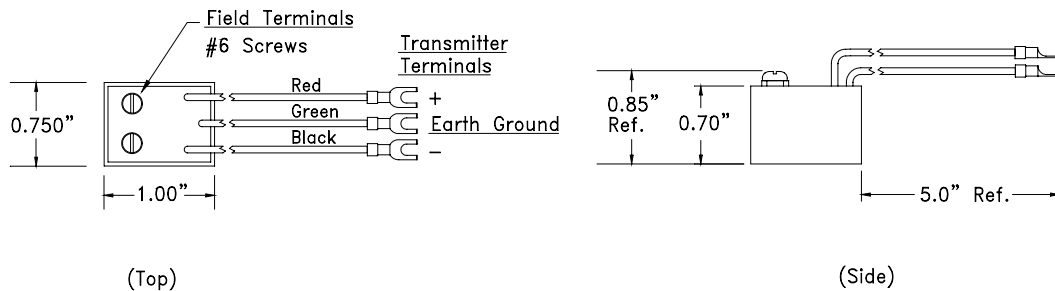
Specifications	SPT-42U05	SPT-42U14	SPT-42U25	SPT-42U28	SPT-42U36	SPT-42U50	SPT-42U60
Operating Voltage	5 Volts	12 Volts	24 Volts	28 Volts	36 Volts	50 Volts	60 Volts
Maximum Operating Voltage	6 Volts	14 Volts	27 Volts	30 Volts	38 Volts	55 Volts	67 Volts
Maximum Operating Current	200 mA	200 mA	200 mA	200 mA	200 mA	200 mA	200 mA
Clamping Action Turn-On	7.1 Volts	14.3 Volts	28.5 Volts	31.4 Volts	40.9 Volts	58.9 Volts	71.3 Volts
Maximum Clamping at 2 kA (8 x 20 μSec)	11 Volts	22 Volts	44 Volts	46 Volts	58 Volts	81 Volts	94 Volts
Maximum Surge Voltage	20 kV	20 kV	20 kV	20 kV	20 kV	20 kV	20 kV
Maximum Surge Current (8 x 20 μSec)	2.5 kA	2.5 kA	2.5 kA	2.5 kA	2.5 kA	2.5 kA	2.5 kA
Current Leakage / Line At Operating Voltage	500 μA	5 μA	5 μA	5 μA	5 μA	5 μA	5 μA
Capacitance/Line At Rated Voltage	4000 pF	2000 pF	500 pF	500 pF	400 pF	300 pF	200 pF
Response Time	Less than 1 nanosecond						
Operating & Storage Temperature	-40 °C to +85 °C						

Consult factory to select other operating conditions and specifications. All specifications at 25 degrees Celsius.

Typical Installation:



Outline Dimensions:



Circuit Components, Inc.
 2400 S. Roosevelt Street Tempe, AZ • 85282
 Tel: 480-967-0624 • Fax: 480-967-9385
 Email: info@surgecontrol.com • Website: www.surgecontrol.com

SURGE CONTROL®
 A PRODUCT OF CCI

This information is not intended to and does not create any warranties, expressed or implied, including any warranty of merchantability or fitness for a particular purpose. Circuit Components Inc. reserves the right to change specifications at any time without notice.