

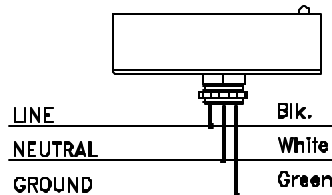
Installation Instructions

SPP-120C Series

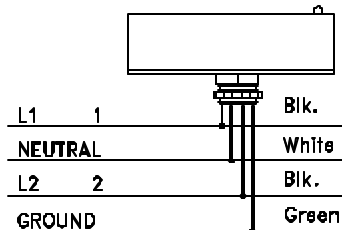
General Purpose – Basic

AC Surge Arrestor/Filter

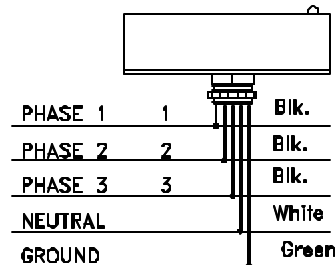
Typical Installation:



SINGLE PHASE
120, 220 or 240 VAC

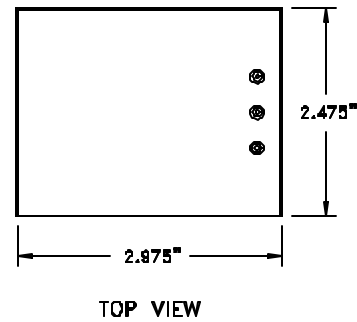
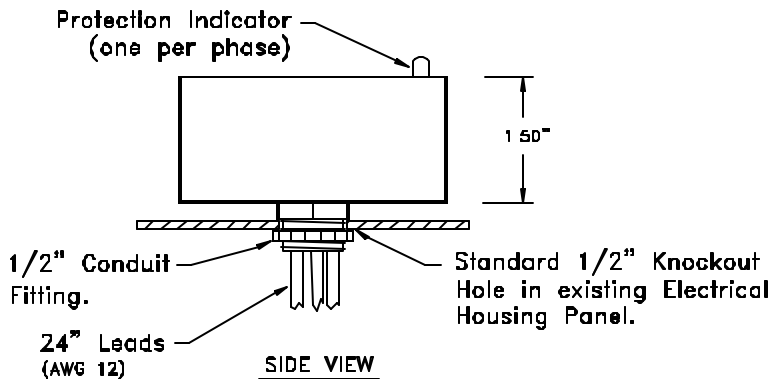


SINGLE (SPLIT) PHASE
120/240 VAC



3 PHASE WYE
120/208 VAC 240/415 VAC
220/380 VAC

Outline Dimensions:



Attention! These instructions assume that the installer is familiar with electrical wiring practices. Read material thoroughly before attempting to install this device. If you are unsure about any part of these instructions, contact a qualified electrician.!

1. CONFIRM MODEL WITH POWER SERVICE

Measure power service with voltmeter to confirm application voltage prior to installation. See table below.

Part Number	Power Service	Description
SPP-120C	120 VAC	Single Phase
SPP-120CD	120/240 VAC	Single (Split) Phase
SPP-120CY	120/208Y VAC	3 Phase WYE
SPP-240C	220 or 240 VAC	Single Phase
SPP-240CY	220/380Y or 240/415Y	3 Phase WYE

2. ! DISCONNECT POWER BEFORE INSTALLATION !

All wiring to be done in accordance with National Electric Code (NEC) and local codes by qualified electricians.

3. MOUNTING

Mount the suppressor in any convenient 1/2" knockout in an electrical panel where the indicator LED's can be seen, and connect the wire leads as shown in the diagram above. Suppressor should be connected downstream or after the electrical breakers or power controls. Installation should be done per local codes by a qualified electrician.

4. RESTORE POWER

LED's should be lit, indicating power is on and surge suppression is active.