

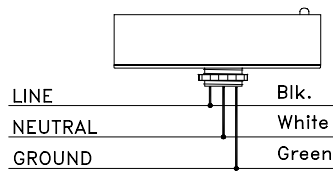
# INSTALLATION INSTRUCTIONS

## SPPT-120B SERIES

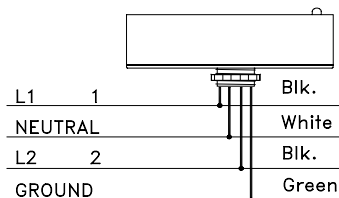
### GENERAL DUTY—INDUSTRIAL

### AC SURGE ARRESTOR/FILTER

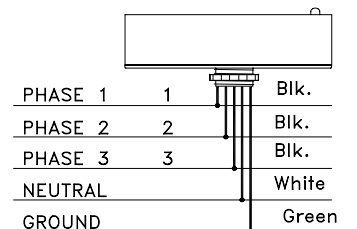
#### Typical Installation:



SINGLE PHASE  
120, 220 or 240 VAC

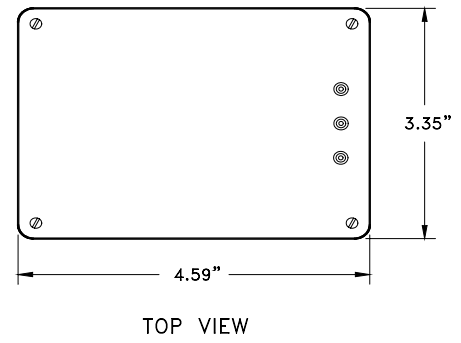
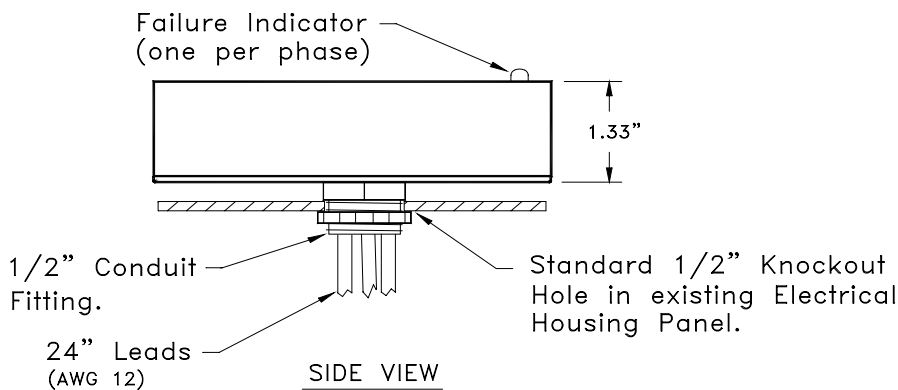


SINGLE (SPLIT) PHASE  
120/240 VAC



3 PHASE WYE  
120/208 VAC      240/415 VAC  
220/380 VAC

#### OUTLINE DIMENSIONS:



**Attention!** These instructions assume that the installer is familiar with electricawiring practices. Read material thoroughly before attempting to install this device. If you are unsure about any part of these instructions, contact a qualified electrician.

**ALL WIRING MUST BE IN ACCORDANCE WITH NATIONAL ELECTRIC CODE (NEC) AND WITH ALL LOCAL CODES!**

#### 1. CONFIRM MODEL WITH POWER SERVICE

To confirm that suppressor model is correct for application (before installation), measure service voltage with voltmeter and check wire counts/colors. See table below and Typical Installation above.

Part Number	Power Service	Description
SPPT-120B	120 VAC	Single Phase
SPPT-120BD	120/240 VAC	Single (Split) Phase
SPPT-120BY	120/208Y VAC	3 Phase WYE
SPPT-240B	220 or 240 VAC	Single Phase
SPPT-240BY	220/380Y or 240/415Y	3 Phase WYE

#### 2. SELECT A LOCATION

The suppressor can be mounted on any convenient surface where the indicator LED's can be seen, downstream (after) the electrical breakers or power controls. **IMPORTANT: WIRES SHOULD BE KEPT AS SHORT AS POSSIBLE.**

#### 3. ! DISCONNECT POWER BEFORE INSTALLATION !

#### 4. MOUNTING AND CONNECTION

Mount the suppressor in any convenient 1/2" knockout in an electrical panel where the indicator LED's can be seen, and connect the wire leads as shown in the diagram above. Cut leads as short as practical before connection.

**CAUTION: IMPROPER GROUNDING MAY RESULT IN LACK OF SURGE PROTECTION!**

#### 5. RESTORE POWER

LED's should be lit, indicating power is on and surge suppression is active.

#### 6. TROUBLESHOOTING

If any LED is not lit with power on, the corresponding line/phase suppression is no longer active and connected equipment is no longer protected. Replace suppressor.