

Wall Plug-Ins

SPL-120

A/C POWER

SPL-T120

A/C POWER AND TELEPHONE



FEATURES:

- ▶ Exceeds all recommendations for ANSI/IEEE C62.41-1991 Categories A3 & B3, and UL1449 Second Edition.
- ▶ Unique multi-stage “No Wear Out” design provides the most effective long life suppression.
- ▶ Sub nanosecond response time stops failures due to lightning, spikes and over-voltage surges while minimizing other electrical noise.
- ▶ EMI/RFI filtering and suppression, both common and normal mode, provide the most effective suppression.
- ▶ Long life LED indicator lets you know your protection is on line.
- ▶ 15 Amp circuit breaker.
- ▶ Secure screw mounting, plugs into the existing duplex receptacle.
- ▶ The model SPL-T120 combines both AC power and Telco protection using standard RJ-11 telephone jacks.
- ▶ Automatic reset and fail safe design requires no maintenance. Eliminates “Out of Service” downtime and repair/replacement costs caused by damaging power surges.
- ▶ Four lines go through, Tip (T) and Ring are protected in the SPL-T120.
- ▶ Low profile enclosure allows wires side entry so equipment remains “close to the wall”.

Applications:

The SPL-120 and SPL-T120 are normal duty suppressors designed to protect all types of electronic equipment for the home, office, and industrial environments which require standard 120 VAC – 15 Amp – 50/60 Hz service. The SPL-T120 provides additional protection for telephone lines such as fax, modem, telco, computers, and communication equipment. Both products offer minimal installation and maximum protection. Both Tip and Ring (T&R) are protected.

Select the SPL-120R or SPL-T120R when it is desirable to have the AC receptacles on the right side.

Select the SPL-120L or SPL-T120L when it is desirable to have the AC receptacles on the left side.

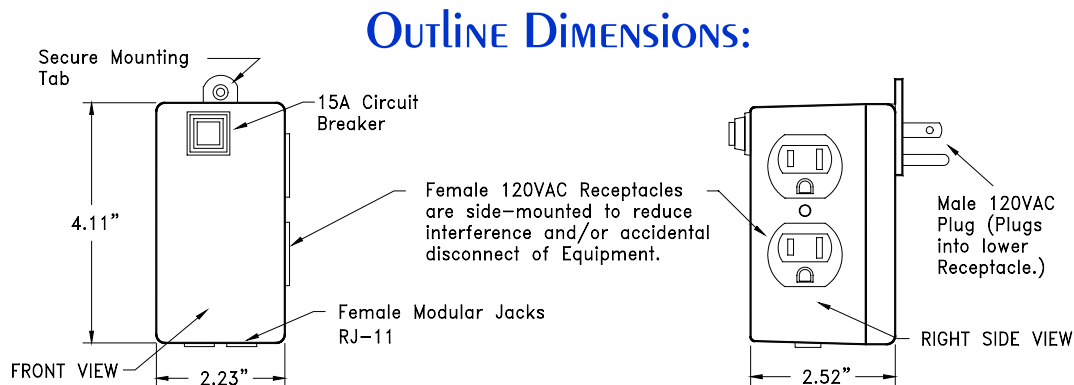
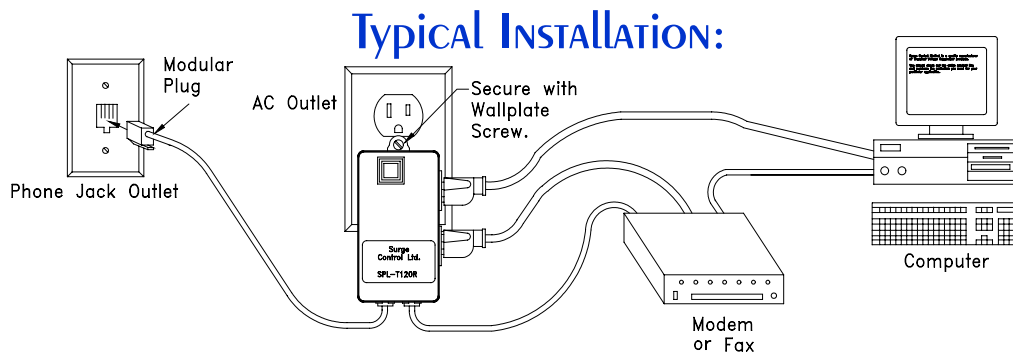
Typical Installation:

Both the SPL-120 and the SPL-T120 plug into a standard duplex receptacle providing 2 protected outlets. These units are secured to the duplex receptacle using the center panel screw.

SPL-120 AND SPL-T120 Operating Specifications:

Specifications	SPL-120R SPL-120L	SPL-T120R SPL-T120L	
	AC	AC	Tel Lines
Line Voltage Rating @ 50/60 Hertz	125 VAC	125 VAC	+/- 200 Volts
Maximum Operating Line Current	15 Amps	15 Amps	200 mA
Clamping Action Turn-on	210 Volts	210 Volts	190 Volts
Maximum Transient Voltage	6 kV	6 kV	20 kV
Maximum Transient Current	3 kA	3 kA	3 kA
Frequency Attenuation (dB) @ 100 kHz/100 MHz	-30/-50	-30/-50	N/A
Maximum Leakage Current	.5 mA	.5 mA	5 μ A
Maximum Clamping Voltage: Line-Neutral I_t^*	220 Volts	220 Volts	N/A
Maximum Clamping Voltage: Line-Gnd, Neutral-Gnd I_t^*	240 Volts	240 Volts	N/A
Maximum Clamping Voltage: Line-Gnd, Neutral-Gnd (T/R-G)*	390 Volts	390 Volts	330 Volts
Response Time	Less than 1 nanosecond		
Storage And Operating Temperature	-40 Degrees Celsius to +85 Degrees Celsius		

* Waveforms: 1.2 x 50 μ Sec voltage, 8 x 20 μ Sec source current. All specifications at 25 degrees Celsius.



Circuit Components, Inc.
 2400 S. Roosevelt Street Tempe, AZ • 85282
 Tel: 480-967-0624 • Fax: 480-967-9385
 Email: info@surgecontrol.com • Website: www.surgecontrol.com

SURGE CONTROL®
 A PRODUCT OF CCI

This information is not intended to and does not create any warranties, expressed or implied, including any warranty of merchantability or fitness for a particular purpose. Circuit Components Inc. reserves the right to change specifications at any time without notice.