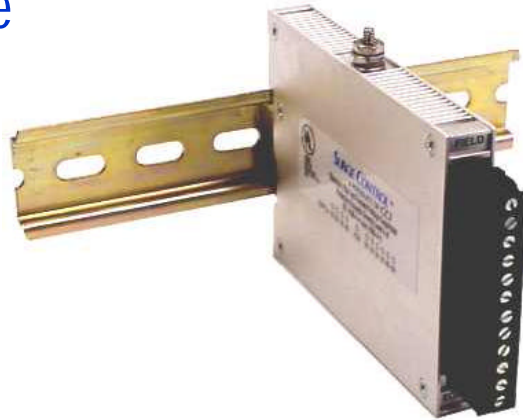


SDD-400 Series

DIN-Rail Mount
2,3,4,or 6 Line

Surge Suppressor



Features:

- ▶ Designed for equipment used in 4-20 mA control/monitor loops and communication networks.
- ▶ Protection of a concentrated data line installation is practical due to the vertical universal mounting on any standard DIN-Rail.
- ▶ Fast, direct wire termination to secure wire clamp terminals.
- ▶ Exceeds severity level 4 of IEC/EN 61000-4-4 (Provides 2.5 kA/line of surge protection).
- ▶ Space efficient protector is hermetically sealed and suitable for the most harsh environments.
- ▶ Used on analog and digital signal/data lines.
- ▶ Unique multi-stage design provides the most effective suppression available and requires no additional secondary protection.
- ▶ Automatically resets after each transient. No maintenance is required.
- ▶ Sub nanosecond response time stops failures due to lightning, spikes and over-voltage surges while minimizing other electrical noise.
- ▶ Enclosure foot grounded to DIN Rail, and additional ground post provided.
- ▶ UL Listed to UL497B. UL File E205158.

Applications:

The SDD-400 Series is designed to protect measurement and process control equipment, 4-20 mA loop instrumentation, data processing instrumentation equipment and telecommunication equipment, etc. This Series may be used on analog or digital signal/data lines, RS-422, RS-485 and RS-232 lines.

Select the model SDD-402 for 2 line applications, SDD-403 for 3 line applications, SDD-404 for 4 line applications, or SDD-406 for 6 line applications. Select the model according to the operating voltage found on the reverse side of this data sheet.

Select the SDP-120 for DIN-Rail 120VAC line protection.

Typical Installation:

Mount the SDD-400 Series suppressor on any standard DIN-Rail. Connect each incoming line pair to the suppressor as indicated. Connect the facility "clean" line pair(s) to the equipment and dress away from incoming lines. The suppressor must be connected to a good earth ground. Keep the ground wire (#12 AWG or larger) short and place the suppressor as near the equipment it is to protect as possible. Equipment ground and suppressor ground should be common.

SURGE CONTROL®
A PRODUCT OF CCI

SDD-400 Series Operating Specifications:

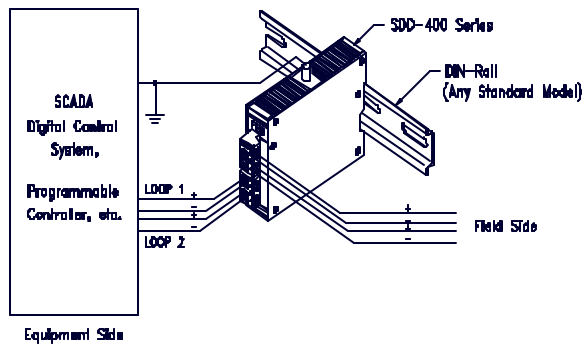
Specifications	SDD-4XX05	SDD-4XX14	SDD-4XX25	SDD-4XX28	SDD-4XX36	SDD-4XX50	SDD-4XX60
"RS" Applications	N/A	RS-422 RS-485	RS-232	N/A	N/A	N/A	N/A
Operating Voltage	5 Volts	12 Volts	24 Volts	28 Volts	36 Volts	50 Volts	60 Volts
Maximum Operation Voltage	6 Volts	14 Volts	27 Volts	30 Volts	38 Volts	55 Volts	67 Volts
Maximum Operating Current	200 mA	200 mA	200 mA	200 mA	200 mA	200 mA	200 mA
Clamping Action Turn-On	7.1 Volts	14.3 Volts	28.5 Volts	31.4 Volts	40.9 Volts	58.9 Volts	71.3 Volts
Maximum Clamping at 2 kA (8 x 20 µSec)	11 Volts	22 Volts	44 Volts	46 Volts	58 Volts	81 Volts	94 Volts
Maximum Surge Voltage	20 kV	20 kV	20 kV	20 kV	20 kV	20 kV	20 kV
Maximum Surge Current (8 x 20 µSec)	3 kA	3 kA	3 kA	3 kA	3 kA	3 kA	3 kA
Current Leakage/Line At Operating Voltage	500 µA	5 µA	5 µA	5 µA	5 µA	5 µA	5 µA
Capacitance/Line At Rated Voltage	100 pF max	100 pF max	100 pF max	100 pF max	100 pF max	100 pF max	100 pF max
Response Time	Less than 1 nanosecond						
Operating and Storage Temperature	-40 Degrees Celsius to +85 Degrees Celsius						

Consult the factory for other applications and operating conditions and specifications. All specifications at 25 degrees Celsius.

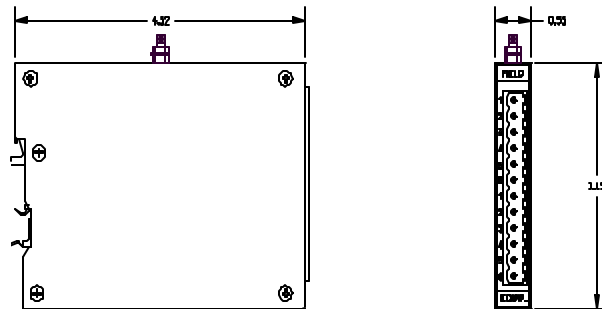
MODEL SELECTION:

Number of Lines: SDD-4 XX **Operating Voltage:**
 02 – 2 lines See Table Above
 03 – 3 lines
 04 – 4 lines
 06 – 6 lines

Typical Installation:



Outline Dimensions:



Circuit Components, Inc.
 2400 S. Roosevelt Street Tempe, AZ - 85282
 Tel: 480-967-0624 - Fax: 480-967-9385
 Email: info@surgecontrol.com - Website: www.surgecontrol.com

SURGE CONTROL®
 A PRODUCT OF **CCI**

This information is not intended to and does not create any warranties, expressed or implied, including any warranty of merchantability or fitness for a particular purpose. Circuit Components Inc. reserves the right to change specifications at any time without notice.