

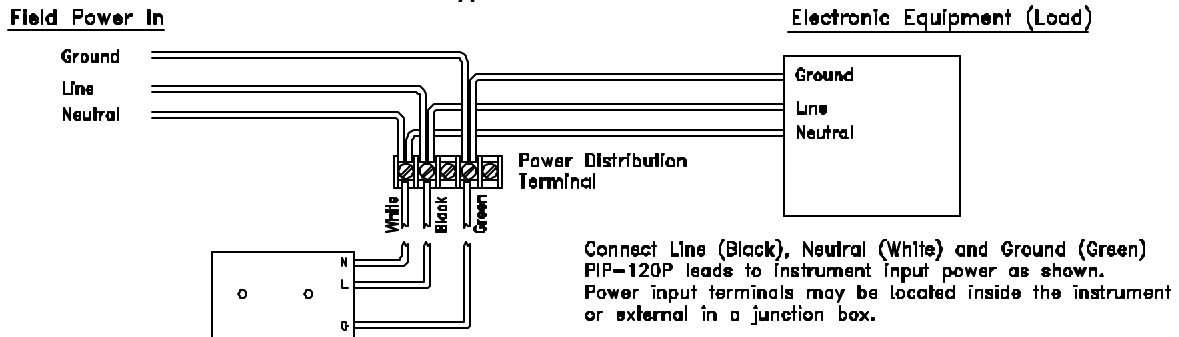
Installation Instructions

PIP-120P

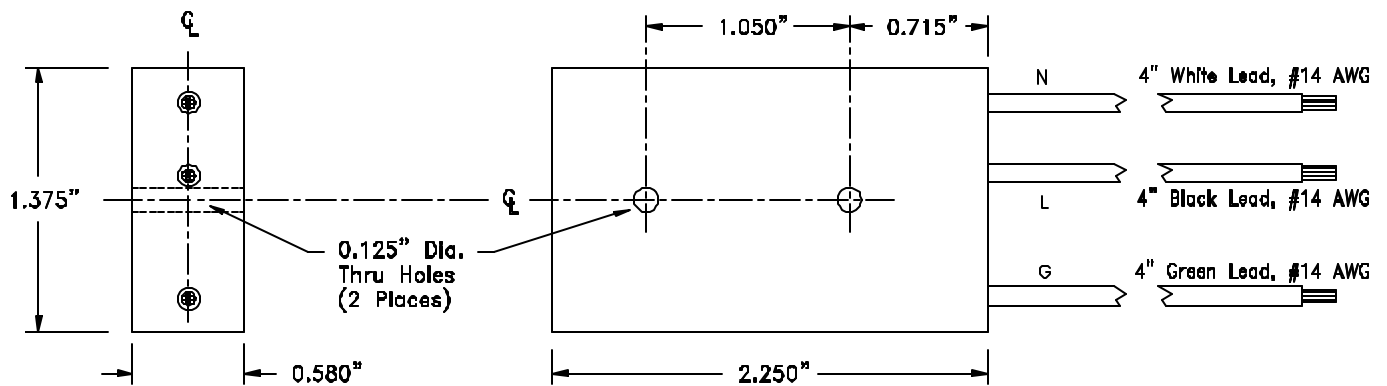
EMI/RFI Filter

Electronic Surge Suppressor

Typical Installation:



Outline Dimensions:



Wiring Instructions:

CAUTION: Make sure equipment power is OFF before installing suppressor.

- (A) Mount PIP-120P to an convenient surface using screws through holes in suppressor, or with mounting tape. The PIP-120P is usually mounted inside the equipment it is to protect or may also be mounted inside a terminal junction box.
- (B) Connect White lead to Neutral input terminal on instrument power terminals.
- (C) Connect Black lead to Line input terminal on instrument power terminals.
- (D) Connect Green lead to Ground input terminal on instrument power terminals.
- (E) Restore power