

PC Board Stiffeners and Current Carrying Busses

Table of Contents

Standard Copper Rigid/Bus[®] Bars

Benefits1
Part Specifications2
Part Drawings3
Snap-In Board Stiffener Version ...4
Part Number and Ordering Info.....5
Selection and Installation Guide.....6

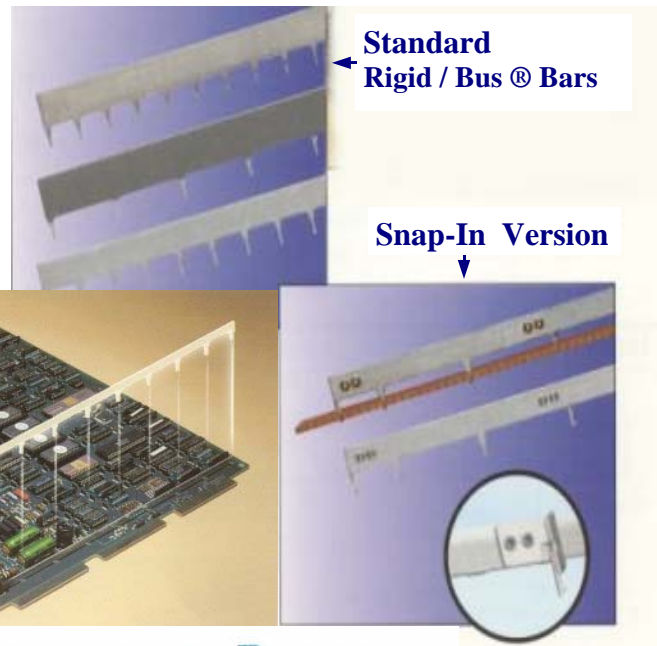
Brass Board Stiffeners

Part Specifications7
Part Drawings.....7
Part Ordering Information7

Standard Copper Rigid/Bus[®] Bars

Benefits

- Rigidize PCBs during and after assembly
- One step installation with no hardware required.
- Protects PCBs from cracks on solder joints and PCB traces, decreasing vibration and shock damage.
- Can be used as ground and/or power distribution bus bars (up to 64 Amps) eliminating the need for heavy traces.
- Snap-in version available
- Available in any length and various heights.



Without Board Stiffener



With Board Stiffener

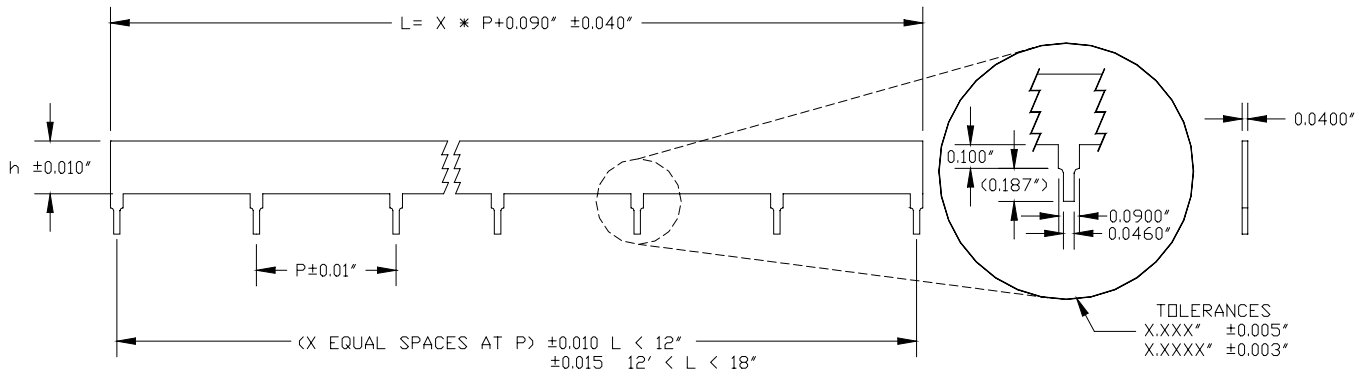
Standard Copper Rigid/Bus[®] Bars

Specifications	Single Layer: Std (B), Snap-In (S) Two Layer: (H)		
	B250 S250 H250	B375 S375 H375	B500 S500 H500
Body Height	0.250"	0.375"	0.500"
Resistivity /Inch at 25 ° C (milliohms)	0.07	0.06	0.035
Body Current Carrying Rating at 25 ° C	32 Amps	48 Amps	64 Amps
Maximum Body temperature rise from 25 ° C at 1.5 times the current rating	20° C	25° C	30° C
Pin Carrying Current rating at 25° C	11 Amps		
Maximum Pin temperature rise from 25° C at 1.5 times the current rating	20° C		
Recommended PCB Hole Size	.070" (1.78 mm)		
Recommended Solder Pad Size	0.110"- 0.120" (2.794 mm- 3.048 mm)		
Pin Strength	70 lbs		
Shoulder Strength	115 lbs		
Body Strength	840 lbs		
Material	Alloy 110 copper .040" (1.016 mm) thick full hard		
Finish	Bright tin plating per ASTM B 545 (Mil-T-10727) (Ends of conductors and tips of pins are not plated)		
Outer Insulation (For two layer construction, optional for single layer)	Electric Grade Epoxy Resin or Kapton HN		
Dielectric Strength (Outer Insulation)	Epoxy (300 V/mil) Kapton HN (5000 V/mil)		
Inner Insulation for two layer construction	Electric Grade Polyester Film		
Dielectric Strength (Inner Insulation)	2000 VAC /mil		
UL Flammability Rating	UL-94-VO		
High Frequency Vibration Mil Std 202F	Method 204D, Condition B (Limited to 5 GS)		
Random Vibration Mil Std 202F	Method 214A, Conditions I-E, for 30 min per axis		
Mechanical Shock Mil Std 202F	Method 214B, Condition A 50G, 11 ms, half-sine; 3 22blows per direction ,both directions of 3 axes (18 total shocks)		

Standard Copper Rigid/Bus[®] Bars

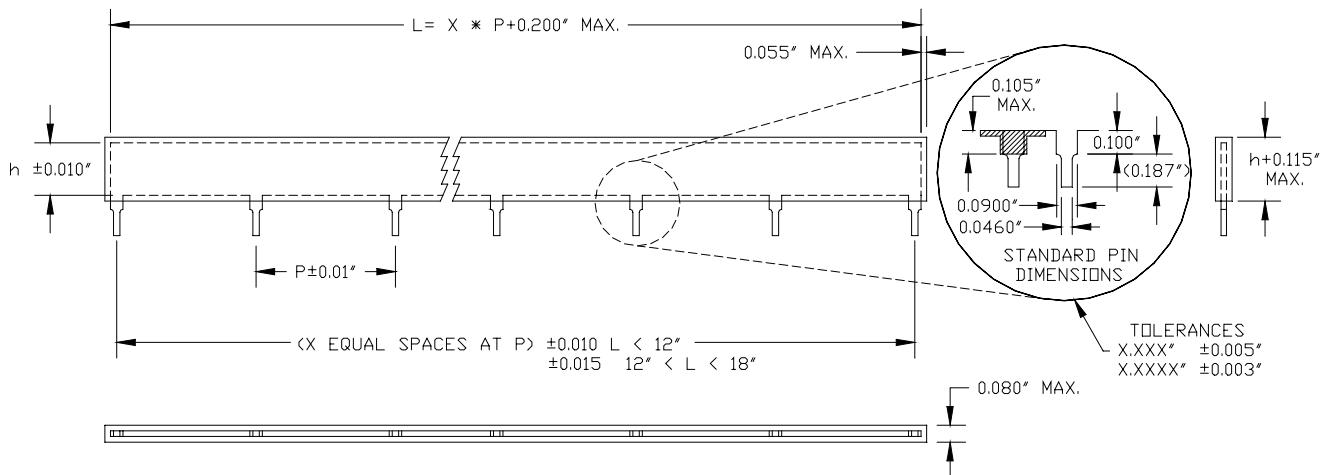
Part Drawings

Un-insulated Single Layer—Standard Rigid Bus

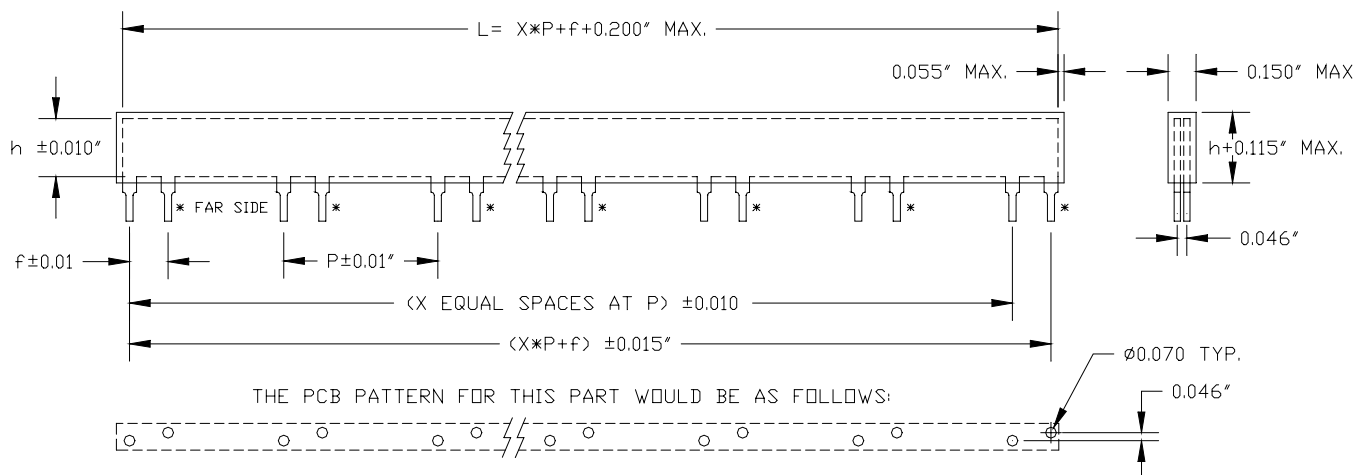


Pitches (p) Available: Std (0.5", 1.0", 1.5", 2.0") Custom (0.2", 0.4" and higher) - Repetitive and non-repetitive pitches available
 Heights (h) Available Std (0.250", 0.375", 0.500")

Insulated Single Layer—Standard Rigid Bus



2-Layer Version (Power and Ground)—Standard Rigid Bus



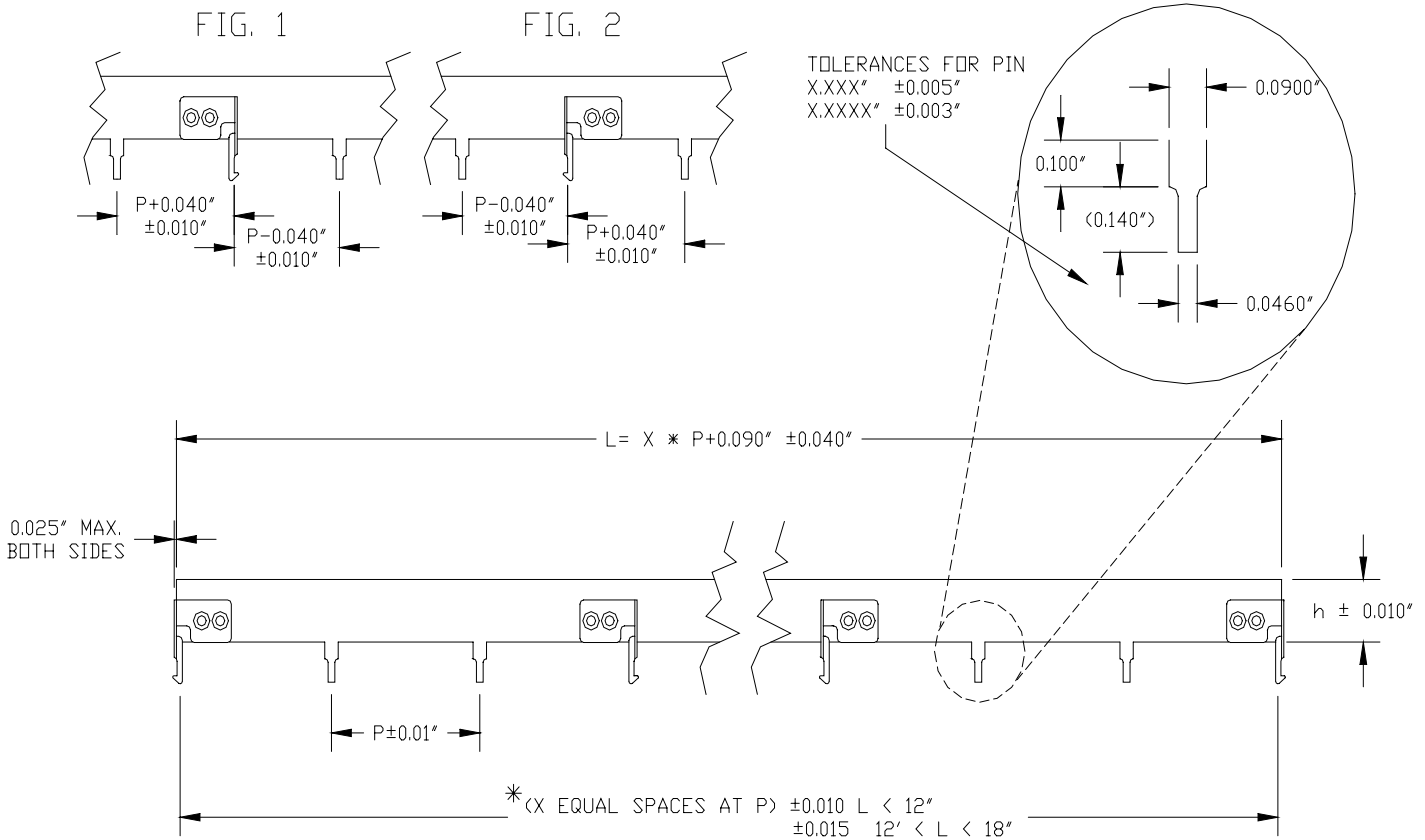
Standard Copper Rigid/Bus[®] Bars

Snap-In Board Stiffener

The Snap-In Board Stiffener eliminates the need to clinch the pins. It consists of standard Board Stiffener with four spring-loaded pins added, which have a hook-shaped tip at the ends (see drawing below). When mounted onto the board, the spring loaded pins snap in and hold the board stiffener in a vertical position, perpendicular to the board.



Part Drawing



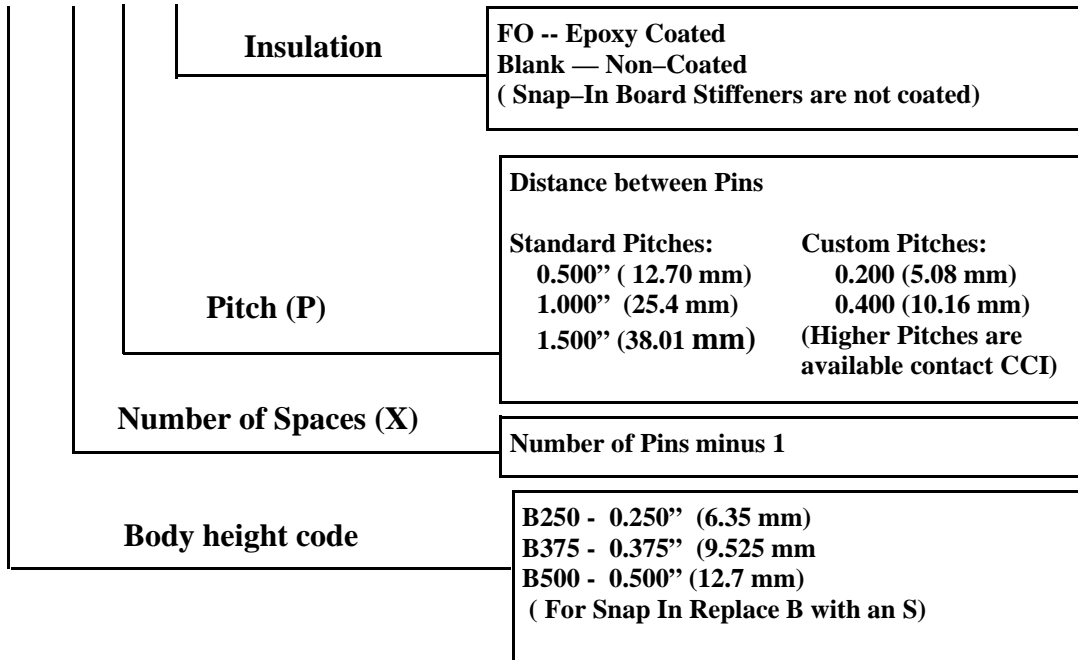
* EXCEPT SPACES ADJACENT TO SPRINGS (SPACES DIMENSION SHOWN ON FIG. 1 AND 2)

Standard Copper Rigid/Bus[®] Bars

Part Numbering and Ordering Information

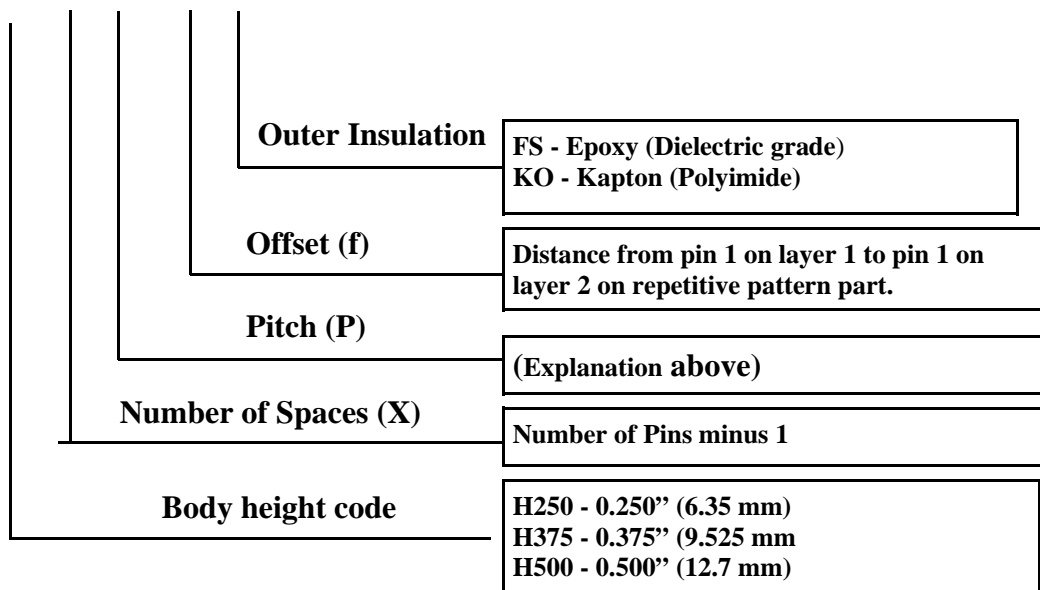
Single Layer Board Stiffener or Current Carrying Bus

B250-7-1.0-FO



Two Layer Rigid / Bus Bars

H250-7-1.0-.5-FS



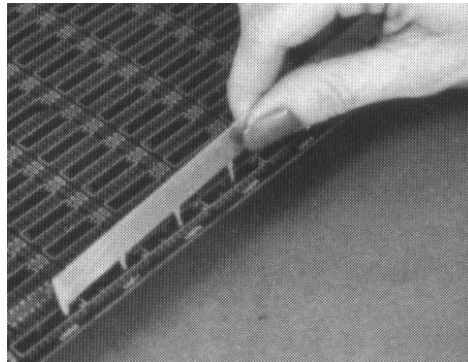
Standard Copper Rigid/Bus[®] Bars

Selection and Installation Guidelines

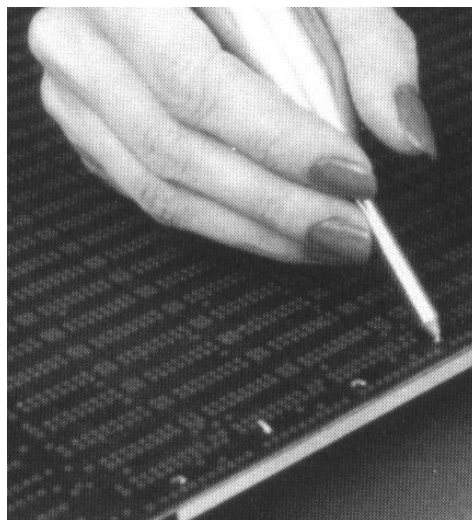
Standard Copper Rigid/Bus[®] Bars

The type of Rigid /Bus and location on the board will depend on the current requirements, size of the board and the degree of sagging, bowing or twisting of the board. Following are some general guidelines:

- If the Rigid /Bus will be carrying current, select the body width according to the current carrying capacity. (See Specifications Page 2)
- Place the Rigid /Bus as close as possible to the area you wish to rigidize.
- If the PCB is sagging, bowing or twisting in the center, locate the Rigid / Bus in the center of the PCB.
- In boards with excessive sagging, twisting or bowing, locate two Stiffeners, cutting the board into thirds. If needed add more Stiffeners.
- Select the tallest possible conductor body compatible with your design, and increase the maximum pin count to maximize rigidizing.
- If the board is sagging, bowing or twisting in the X and Y axis, locate at least one Stiffener per axis.



Insert the Rigid/Bus into the PCB.



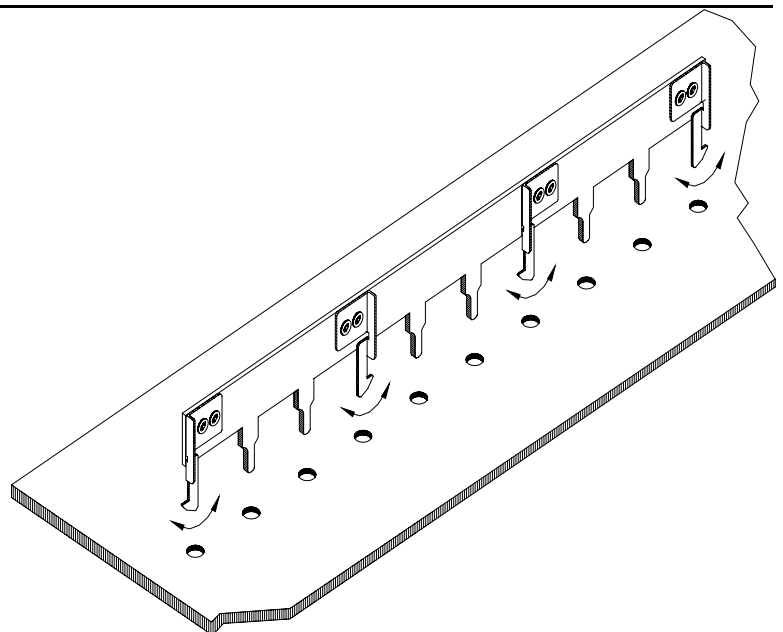
Clinch * the pins on the bottom of the board. Alternate the clinch direction 180° along the length of the part.

*CCI offers a clinching tool to simplify the clinching operation. You can order this tool or the manufacturing drawing directly from CCI.

Snap-In Rigid/Bus[®] Stiffener

Select the Snap-In Rigid /Bus Stiffener for those cases where you want mainly to provide Board Rigidity and where you want to eliminate the need of clinching the pins. Following are the recommended installation steps:

1. Raise the PCB from surface to a clearance of at least 0.250". Ensure that the board is steady and secure to prevent any sliding or movement caused by the insertion force.
2. Align the stiffener to the PCB holes where the stiffener will be inserted. Do not press stiffener yet.
3. **Start on one end**, press the first spring inward and continue to the next spring until all four pins are inserted.



Brass Board Stiffeners

Benefits

- “L” Profile construction provides enough mechanical support to keep the PC board flat or straight.
- Increases the current carrying capacity compared to standard power or ground traces.
- Thin construction acts as a space saver on the PC board.
- A cost saver. No secondary operations such as riveting, installation of screws, etc. are required. The stiffener is soldered simultaneously with other PC board components.
- Available in any length, any number of pins, and a broad selection of grid patterns.
- Choice of metal thickness.

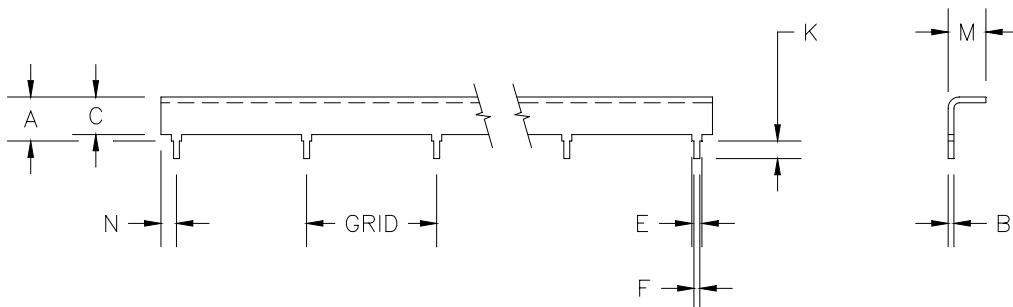


Physical Specifications and Part Drawing

Material: Brass # 260, half hard

Finish: Bright tin plating per ASTM B 545 (Mil-T-10727) (Ends of conductors and tips of pins are not plated .

Available Grids: .250” (6.35mm)*, .500” (12.70mm), 750” (19.05mm) *, 1.000” (25.40mm), 1.250” * (31.75mm), 1.500” (38.1mm)
 * Grids 0.250, 0.750 and 1.250” are available only for P/N B6254



Part Number	Dimensions							
	A	B	C	E	F	K	M	N
B6253	.34 (8.64)	.045 (1.14)	.29 (7.36)	.078 (1.98)	.045 (1.14)	.135 (.43)	.29 (7.36)	.12 (3.04)
B6254	.32 (8.13)	.020 (0.50)	.27 (6.86)	.085 (2.16)	.020 (0.50)	.175* (4.44)	.27 (6.86)	.12 (3.04)

Tolerances: .XXX +/-0.010”(0.25 mm) except for K dim. , .XX +/- 0.030” (0.76 mm)

* K Dim +0.030” - 0.010”

Ordering Information

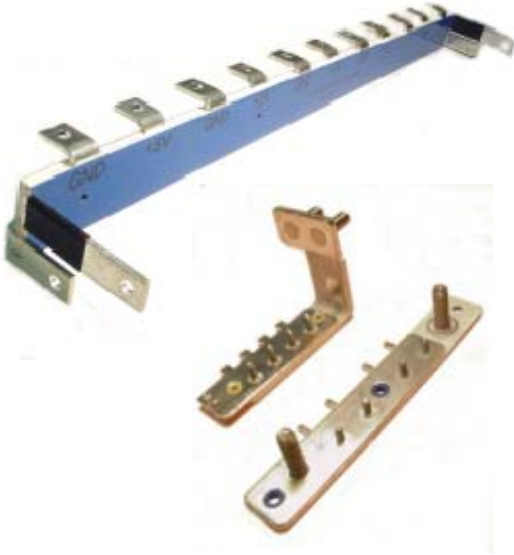
For ordering, construct a part number to meet your requirements or submit a drawing or a sketch.

B6253	-	500	-	6	T
Basic Part Number		Grid		Number of Pins	Finish (Tin)

Other Products Manufactured by Circuit Components Inc.



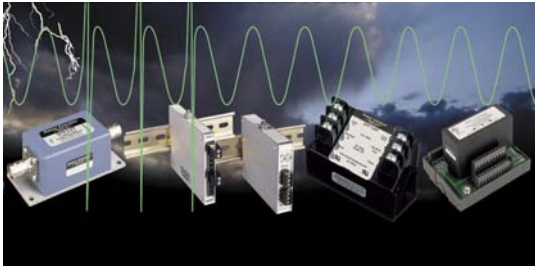
Custom Laminated Bus Bars



- Customized modular form for ease of handling and installation
- Encapsulated and moisture sealed for military/aerospace applications
- High distributed capacitance
- Low inductance
- Reduced noise levels in high-speed switching
- High current carrying capability with minimal voltage drop
- Low characteristic impedance
- Superior grounding and shielding capability
- Single or multiple laminated conductors
- Internal connectors

SURGE CONTROL[®] A PRODUCT OF **CCI**

Transient Voltage Surge Suppressors



- Broad product line of suppression and filtering devices
- Protection from lightning damage or surge/spikes entering power or data lines
- Product categories include
 - AC/DC power hard-wired & PCB mount suppressors
 - Plug-in suppressors
 - Main branch and local panel AC power suppressors
 - Modem, telecom & telephone hard-wired suppressors
 - Signal/data hard-wired, PCB and terminal mount suppressors

CCI Circuit Components Inc.

For additional product information on how Circuit Components Inc. products can enhance your designs, contact an Applications Engineer at 480-967-0624

www.cci-msc.com
E-MAIL: sales@cci-msc.com

TEL: 480-967-0624
FAX: 480-731-6216

2400 S ROOSEVELT STREET
TEMPE, ARIZONA 85282

This information is not intended to and does not create any warranties, expressed or implied, including any warranty of merchantability or fitness for a particular purpose. Circuit Components Inc. reserves the right to change specifications at any time without notice.

Surge Control, Rigid/Bus and Bussco are trademarks of Circuit Components Inc.

0807

©2007 Circuit Components
Printed in U.S.A.